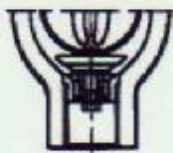


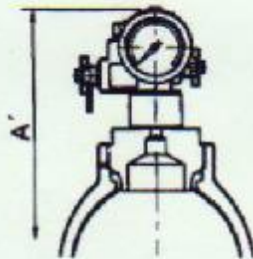
FCH, NIPPON, HYDAC, EPE, PAKKER, FOX, OLEAR, BOSCH



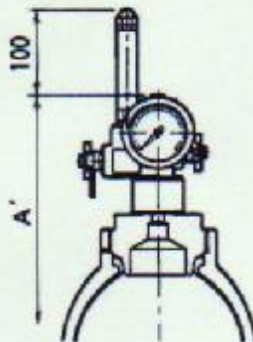
N³⁵⁰₄₅₀-1-4D



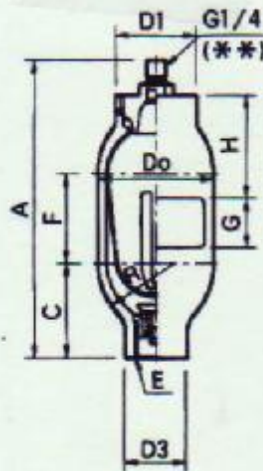
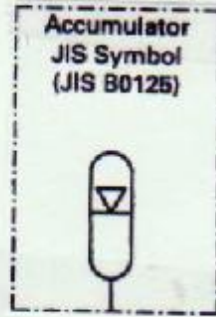
Poppets for Accumulator sizes 1-4 litres with rated pressure of 450 kg/cm² and 350 kg/cm² have rubber made cushion cups.



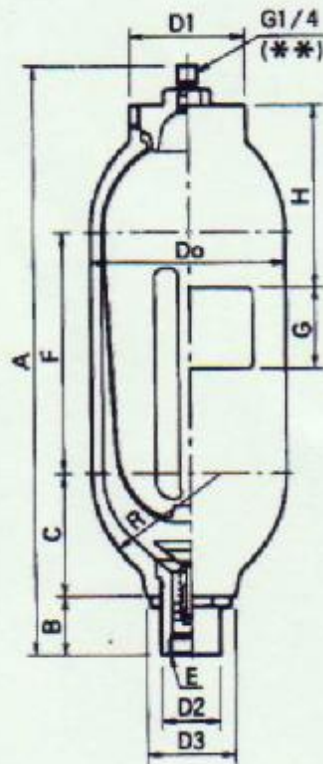
N#-1-10R
(DRW. 2)



N#-1-10Q
(DRW. 3)



N#-1-4D
(DRW. 1)



N#-5-10D
(DRW. 1)

※ Please see page 51 and 55 regarding adapters (Reduce bushes and Flanges), and see page 16 for Gas Charging Tools.

Item Model	Gas volume (L)	Weight kg (D.spec.)	A mm	A' mm	B mm	C mm	F mm	H mm	G mm	φDo mm	φD1 mm	φD2 mm	φD3 mm	R mm	E	
N&R ²¹⁰ ₂₃₀ -1D	1	7	300 [±]	399 [±]	—	95	90	110	50	114.3 (C114)	82	—	61	75	M42x2	
N&R210-2.5D	2.5	13	409 [±]	504 [±]		107	172	150	100	139.8 (C140)	94			90	NPT1¼	
4D	4	17	552 [±]	647 [±]		315	150	100	139.8 (C140)	94	90			G 1¼		
N ¹⁷⁵ ₂₁₀ ²³⁰ -5D	5	23 27 29	488 [±]	583 [±]	58	123	142	160	100	190.7 (C191)	N175:112	57	N175:85	125	M42x2	
6.3D	6.3	25 30 32	553 [±]	648 [±]			207	200			N210:115		N210:86		NPT1¼	
10D	10	32 39 41	723 [±]	818 [±]			377	200			N230:116		N230:87		G 1¼	
N&R ³⁶⁰ ₄₅₀ -1D	1	12	331 [±]	<426 [±] >	—	112	89	110	50	127 (C128)	90	—	67	80	M42x2	
2.5D	2.5	20	437 [±]	<532 [±] >			125	397	150	100	152.4 (C152)		108	75		95
4D	4	30	580 [±]	<675 [±] >			540	150	100	152.4 (C152)	108		75	95		NPT1¼
N ³⁵⁰ ₄₅₀ -5D	5	35	514 [±]	<609 [±] >	67	131	136	160	100	216.3	134	57	102	135	G 1¼	
6.3D	6.3	40	579 [±]	<674 [±] >			201	200								
10D	10	50	749 [±]	<844 [±] >			371	200								

※ < > means 350 kg/cm².

Marks in brackets () denote model Nos. of Accumulator clamps. Please see page 57 for clamp measurements.

(**) On the gas valve of the Accumulators for the north and south American countries, we adopt 1/2-20UNF thread (G 3/8 thread for over 350 kg/cm² (incl.) service Accumulators.)